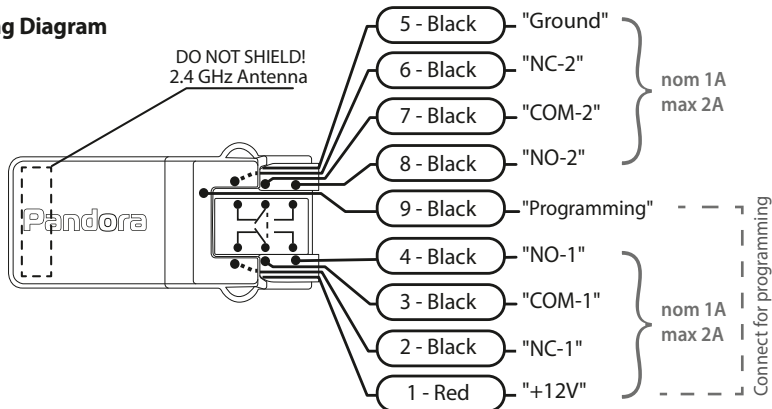


# Pandora

## BT-01 Wiring Diagram



## Radio relay BT-01

BT-01 is a miniature electromechanical relay designed to work with Pandora alarm systems. All control commands are programmed by the security system settings and transmitted over the radio using a protected Bluetooth protocol. The built-in relay has double full set of contacts, which operate synchronously. Maximum switching current is 1A (for long time period) and 2A (for switching circuits without inductive load component).

**WARNING! The relay must be installed in the places that exclude mechanical damage and ingress of corrosive liquids and water. Do not shield the built-in antenna.**

### Specification

Voltage of the relay power supply	+12V
Current consumption of the relay:	0.5 mA
2.4 GHz radio protocol:	Bluetooth 4.2 LowEnergy
Switching current of the built-in relay:	min 10mA, max 2A
Operating temperatures:	from - 40 C° to + 85 C°
Dimensions:	32x16x9 mm

### Programming:

1. Enter the programming level 27 of the system programming menu.
2. Connect the wire "5 – black" to the "Ground" of a car.
3. Connect the wire "9 – black" with the wire "1 – red" and apply "+12V" to these wires. A siren of the system base unit will confirm the recording of the radio relay in the system memory by a sound signal, save the setting by pressing the VALET button.
4. Disconnect the wire "9 – black" and insulate it. Connect the wire "1 – red" to a reliable +12V power supply.
5. Use the Pandora AlarmStudio application to assign the logic of the radio relay ("CH BLE-R1") in the "Output settings" or "Time channels" settings.

The version of the Bluetooth modem firmware of the system must be 2.07 or higher to support the radio relay: Pandora Light Pro (DXL 1090L), Pandora Smart (DXL 1840L), Pandora Smart Pro (DXL 1920L/1930L), Pandora Mini (DXL 0110L).

v 2.0



Customer support:  
support@pandorainfo.com  
www.pandorainfo.com