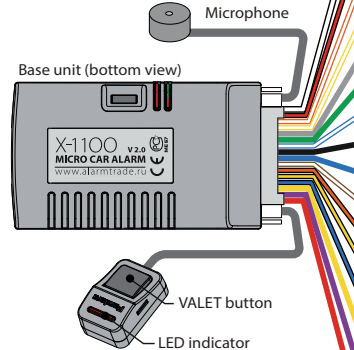
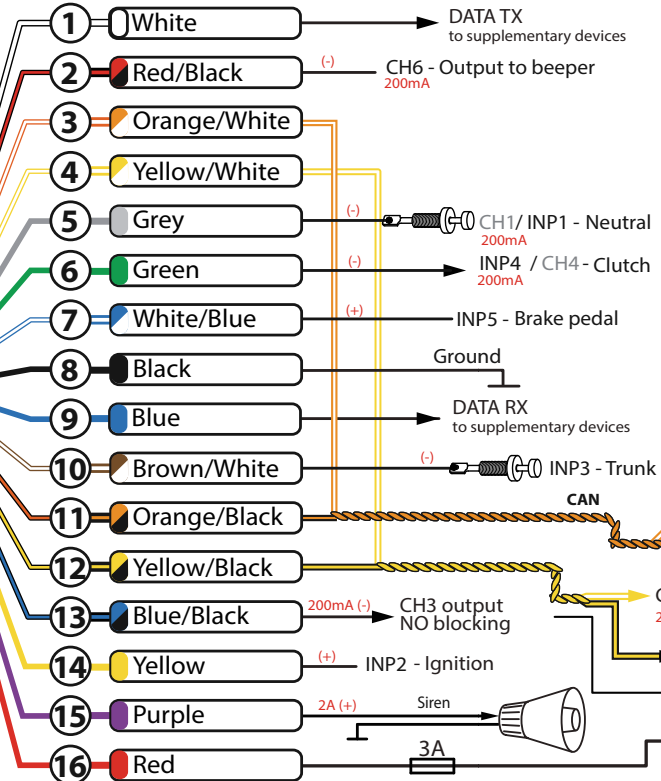
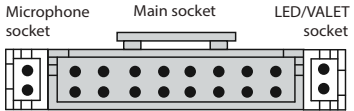


PANDECT

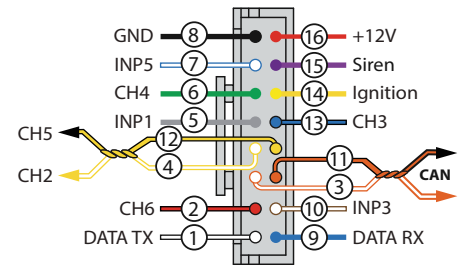
ATTENTION!
Before starting the installation of the system, choose the motorcycle model in Alarm Studio (CAN bus protocols).



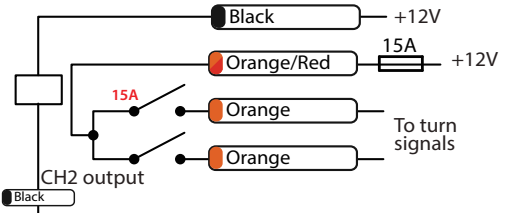
SOCKETS



MAIN SOCKET



TURN SIGNALS RELAY



BLOCKING RELAY

