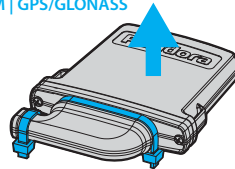


WARNING! Update firmware of the base unit before installation.
WARNING! All power circuits of additional devices that are not powered through the base unit of the system should have their own fuses.

WARNING! The base unit must be placed vertically or horizontally, do not cover the front side of the unit (the side with the "Pandora" sign).
WARNING! Fixate the protective cap using clamps when the installation is finished.

BASE UNIT PLACEMENT

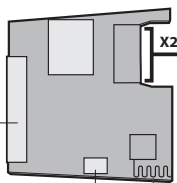
GSM | GPS/GLONASS



WARNING! Do not shield the built-in antennas when installing the system and additional devices. Keep minimum distance of 2 sm between the modules and metal parts.

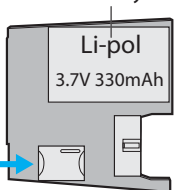
IT IS FORBIDDEN to install the system on a car with normal voltage other than 12V.
IT IS FORBIDDEN to bypass original fuses of a security system in the installation process.
IT IS FORBIDDEN to install the security system with damaged output cables.
IT IS FORBIDDEN to install the temperature sensor at the place where temperature is higher than the operating range of the sensor (+125°C) and cable (+80°C).

GSM | GPS/GLONASS Antenna

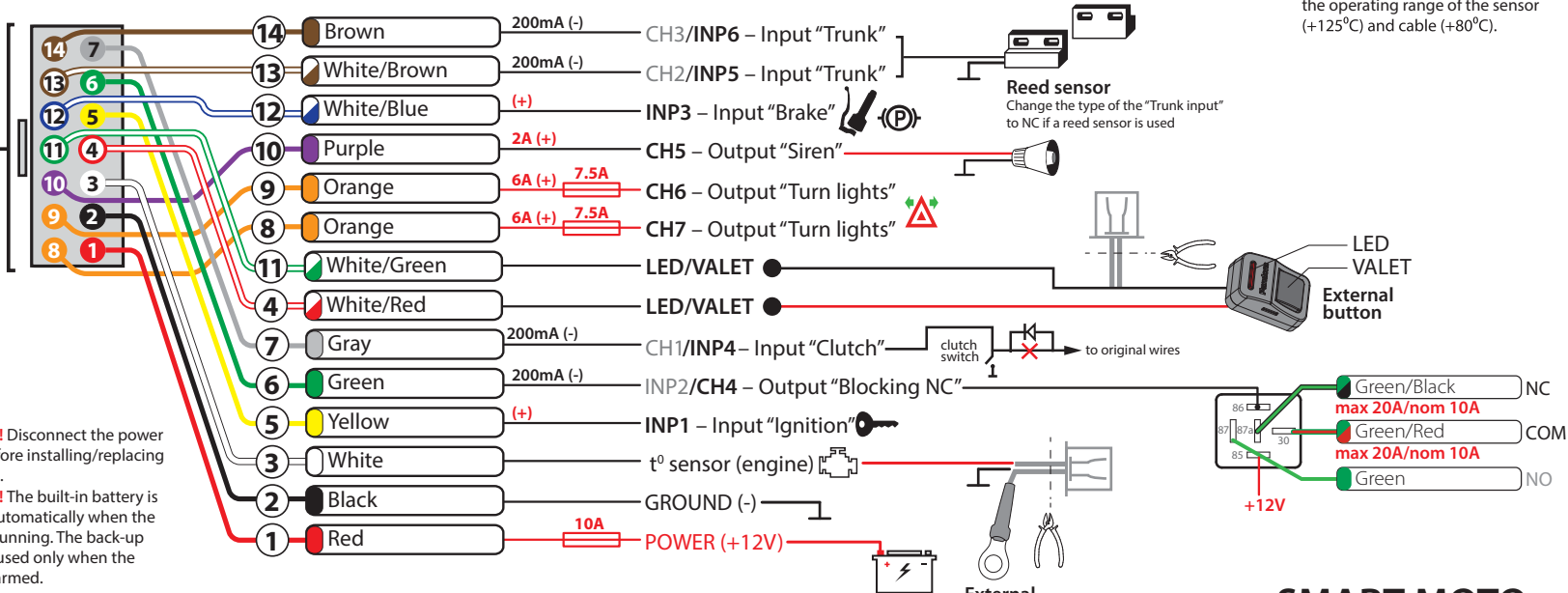


micro-USB
 2.4GHz Antenna (BLE4.2)

Battery



WARNING! Disconnect the power supply before installing/replacing a SIM-card.
WARNING! The built-in battery is charged automatically when the engine is running. The back-up battery is used only when the system is armed.



Pandora **SMART MOTO v2**
 Wiring diagram