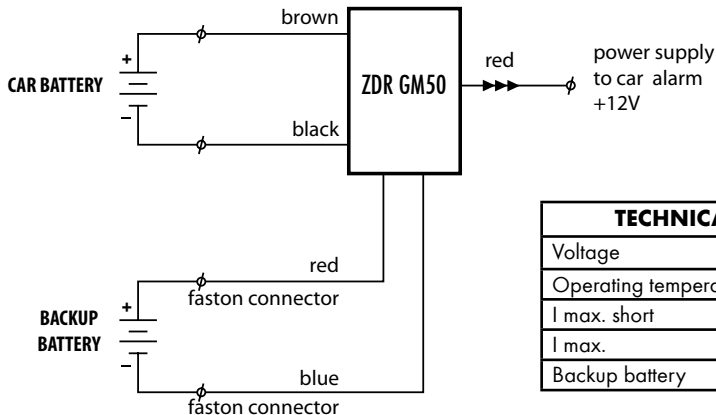


DESCRIPTION OF FUNCTIONALITY AND CONNECTIVITY

Module ZDR - GM50 - car alarm provils power in case of power from the original battery from the vehicle. It also keeps a backup battery charged.

**TECHNICAL SPECIFICATIONS**

Voltage	12VDC +/- 20%
Operating temperature	- 40 °C / + 85 °C
I max. short	10A
I max.	6A
Backup battery	max. 7Ah/12V